



Fresh ideas in foodservice equipment



Agency Approvals:



Cook & Hold Ovens

Model: **GO-36, GO-36/2,
GO-36T**

Cook and Hold Gourmet Oven with Touchpad Controller

BKI's Whisperflo® ovens ensure optimal cooking conditions across a broad spectrum for moist and tender food cooked to perfection. Designed to cook at low and high temperatures and programmable to automatically shift into a 'hold' mode after a cook cycle, meats, poultry and vegetables can be kept hot up to 24 hours with Whisperflo®. Extreme versatility so that at the flip of a switch, cookies, breads and biscuits, to name a few, can bake and brown similar to a convection oven.

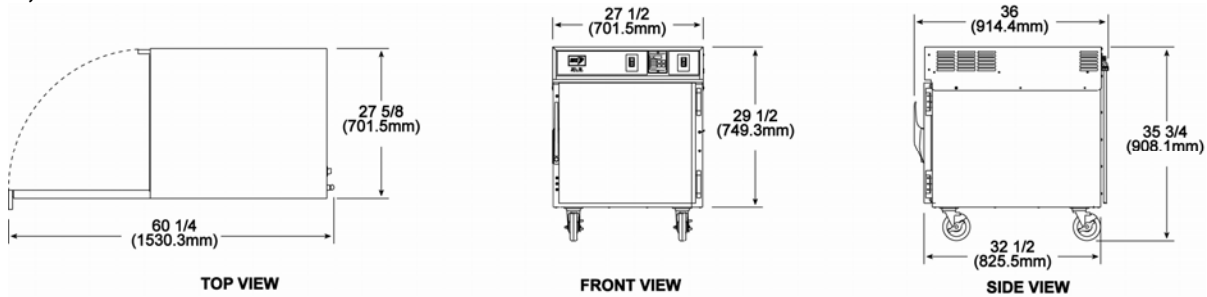
BKI North America
PO Box 80400
Simpsonville, SC 29680-0400 USA
Telephone: (864) 963-3471
Toll Free: (800) 927-6887

BKI Europe
Theale Technology Centre
Station Road • Theale
Reading • West Berkshire • RG7 4AA
Telephone: 0870 9904242 • Fax: 0870 9904243

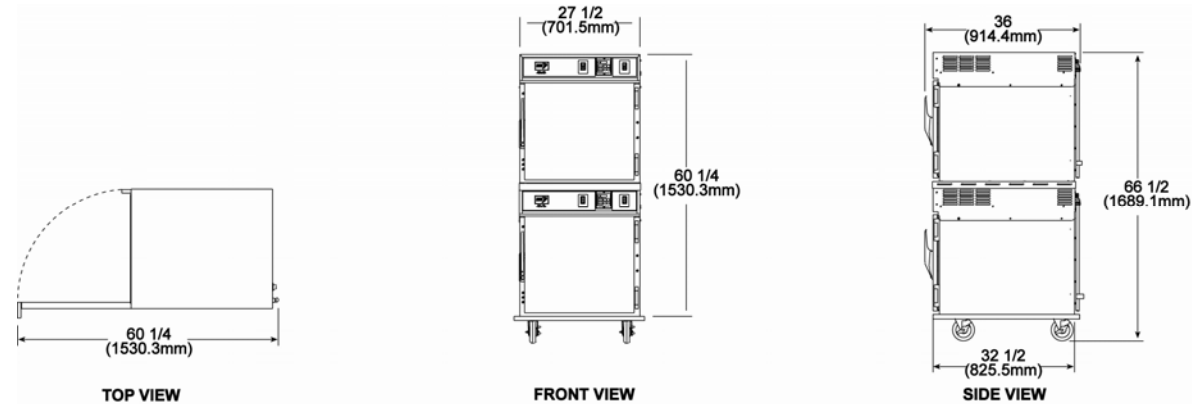


(GO-36, GO-36/2, GO-36T)

Equipment Dimensions: GO-36, GO-36T



GO-36/2



Mechanical Specifications:

Dimension	GO-36/GO-36T		GO-36/2	
	Uncrated	Crated	Uncrated	Crated
Height	35 3/4" (908.1 mm)	42" (1068.7 mm)	66 1/2" (1689.1 mm)	38" (966.9 mm)
Width	27 1/2" (701.5 mm)	37.5" (954.2 mm)	27 1/2" (701.5 mm)	38" (966.9 mm)
Depth	36" (914.4 mm)	29.5" (750.6 mm)	36" (914.4 mm)	30" (763.4 mm)
Floor Space	6.9 sq.ft (.64 m ²)	7.7 sq.ft (.71 sq. m)	6.9 sq.ft (.64 m ²)	7.9 sq.ft (.74 sq. m)
Weight	320 lb. (161 kg)	355 lb. (161 kg)	620 lb. (294.8 kg)	650 lb. (294.8 kg)

Electrical Options:

Model	Volts	Amps	Breaker	KW	Wires	Phase
GO-36	208/40	16.5/19	20	3.4/4.6	2	1
	220/380	17.6	25	3.86	2	1
	240/415	19.2	25	4.59	2	1
GO-36T	208/240	22/25	30	4.5/6.1	2	1

Accessories

- G0052 - Insulated Mitt 13"

BKI North America
PO Box 80400
Simpsonville, SC 29680-0400 USA
Telephone: (864) 963-3471
Toll Free: (800) 927-6887

BKI Europe
Theale Technology Centre
Station Road • Theale
Reading • West Berkshire • RG7 4AA
Telephone: 0870 9904242 • Fax: 0870 9904243

