



UWS AUTOMATIC WRAPPING SYSTEM



NEW:

- Smaller Compact Size:**
 Requires less floor space than other automatic wrapping systems.
- Packaging Rate:**
 28 packages per minute/1680 per hour.
- Easier to Clean:**
 Sealer belt can now be raised for easier access to gripper.
 Stainless Steel Panels along intake and elevator to prevent product from getting inside the wrapper.
 Longer cleanout tray to prevent product from falling to the floor.
- Easy to Operate:**
 The wrapper and scale system is controlled from the Ultima keyboard.
 All operational information as well as any error messages are displayed on one screen.
 Operator can change to the next PLU faster.

STANDARD FEATURES:

- Fully Automatic System:**
 No operator adjustment when changing from one package size to another.
- Package Size Range:**
 Small 1S tray (5" x 5") up to 10" x 15" which includes the 7S tray and the 25S tray.
- Film Savings:**
 Uses 30 to 50 percent less film than conventional handwrapping.

SPECIFICATIONS:

- Listed by Underwriters Laboratories Inc.
- Dimensions:**
 65" Long x 35½" wide.
- Electrical:**
 120/208-240 (4 wire - 2 hot lines, neutral & ground) 60 cycle, 1 phase, 15 amps.
- Film Roll Dimensions:**
 Roll width range 14" - 15" for narrow and 18" - 19" for wide, maximum (OD) 9½", roll core diameter (ID) 3".
- Shipping Weight:**
 Approximately 1,600 lbs.

Specifications, Details and Dimensions on Reverse Side.

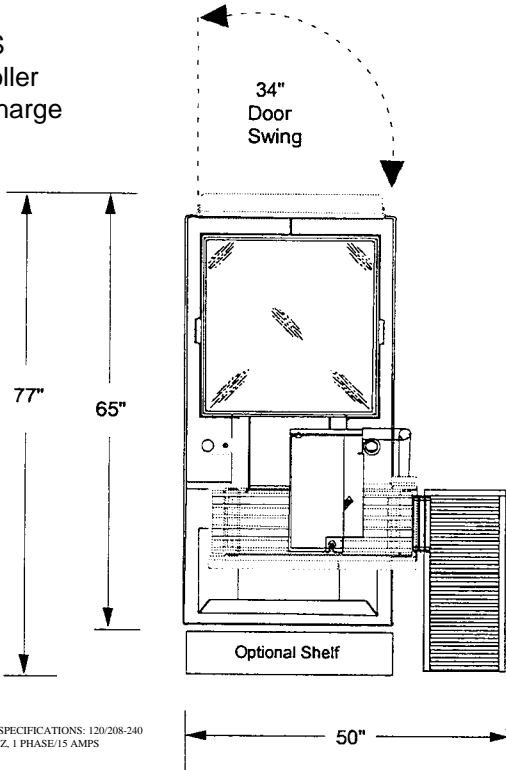


UWS AUTOMATIC WRAPPING SYSTEM

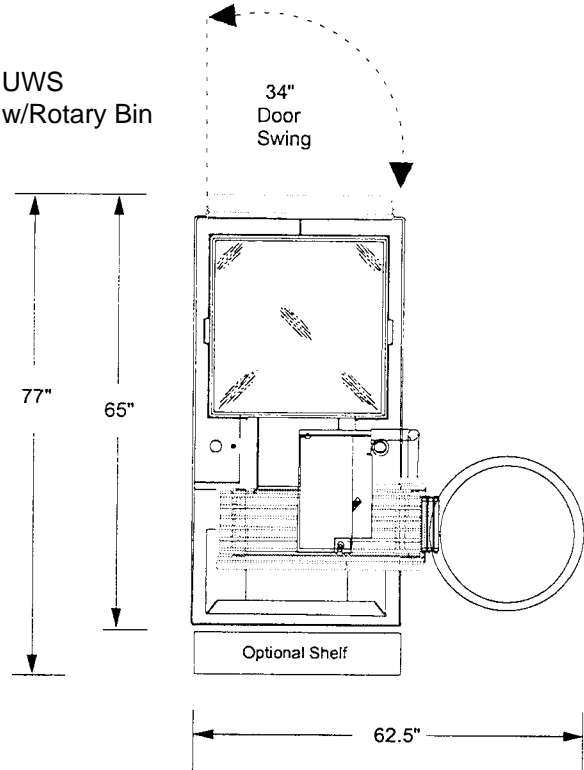
UWS AUTOMATIC WRAPPING SYSTEM



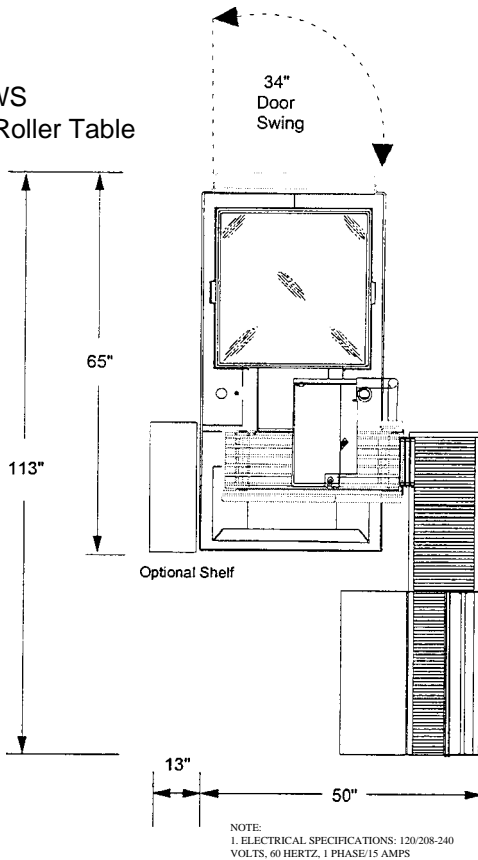
UWS
w/Roller
Discharge



UWS
w/Rotary Bin



UWS
w/Roller Table



UWS
w/Roller Table

